

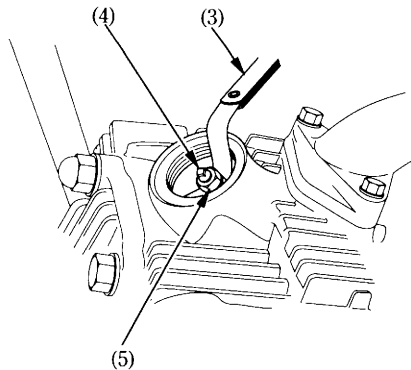
Check the clearance of both valves by inserting a feeler gauge (3) between the adjusting screw (4) and the valve stem. Clearance should be:

Intake: 0.05 mm (0.002 in)

Exhaust: 0.05 mm (0.002 in)

If it is necessary to make an adjustment, loosen the adjusting screw lock nut (5) and turn the adjusting screw (4) so there is a slight resistance when the feeler gauge (3) is inserted.

After completing the adjustment, tighten the adjusting screw lock nut while holding the adjusting screw to prevent it from turning. Finally, recheck the clearance to make sure that the adjustment has not been disturbed. Reinstall the adjusting caps.



(3) Feeler gauge
(4) Adjusting screw

(5) Adjusting screw
lock nut