

BATTERY (UB,NZ type)

(Refer to the maintenance precautions on page 45).

If the motorcycle is operated with insufficient battery electrolyte, sulfation and battery plate damage will occur.

If rapid loss of electrolyte is experienced, or if your battery seems to be weak, causing electrical problems, see your authorized Honda dealer.

Battery electrolyte:

The battery (1) is behind the right side cover.

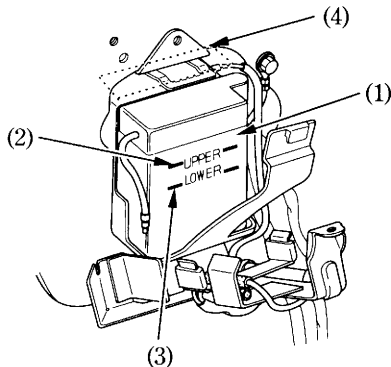
Remove the right side cover (page 28).

Check the electrolyte level with the motorcycle in an upright position on level ground. The electrolyte level must be maintained between the UPPER (2) and LOWER (3) level marks on the side of the battery.

If the electrolyte level is low,remove the bolt and open the battery holder.

Pull out the battery. Remove the battery filler caps (4).

Carefully add distilled water to the UPPER level mark, using a small syringe or plastic funnel.



- (1) Battery
- (2) UPPER level
- (3) LOWER level

- (4) Filler caps