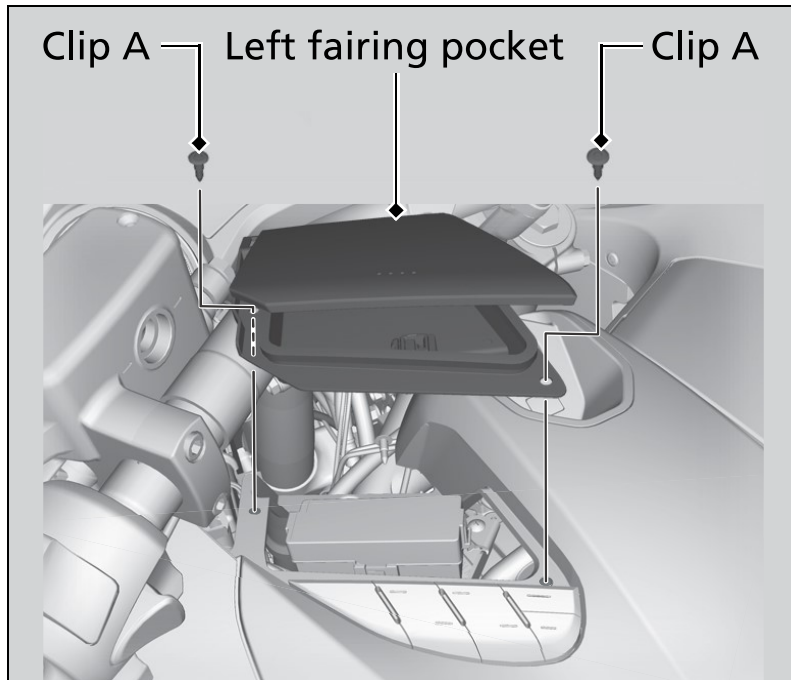


## Left Fairing Pocket



The left fairing pocket must be removed to access the fuse box and main fuse B.

### Removal

1. Open the left fairing pocket. ► P. 67
2. Remove the left inner panel. ► P. 87
3. Remove the clips A. ► P. 94
4. Remove the left fairing pocket.

### Installation

Install the parts in the reverse order of removal.