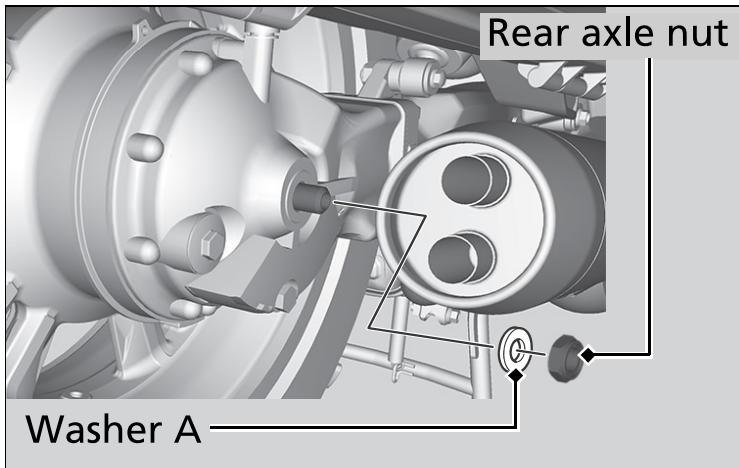


Tyre Puncture ► Removing Wheels

6. Remove the rear axle nut and washer A.



7. Remove the rear brake caliper stopper bolt.
8. Loosen the rear axle pinch bolt.
9. Withdraw the rear axle shaft, and remove the washer B.
10. Release the rear brake caliper.
11. Remove the rear wheel and side collar.

