

Installation Notes:

- Reverse the removal procedure.
- Insert the axle through the wheel hub and left fork leg.
- Make sure that the lug (6) on the speedometer gearbox is located behind the lug (7) on the right fork leg (8) .
- Tighten the axle to the specified torque.

Front axle torque:

59 N·m (6.0 kgf·m , 43 lbf·ft)

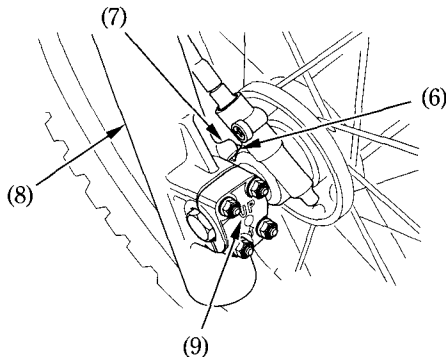
- Install the axle holder with the UP mark (9) upward and tighten the upper holder nuts to the specified torque first, then tighten the lower holder nuts to the same torque.

Axle holder nut torque:

12 N·m (1.2 kgf·m , 9 lbf·ft)

- After installing the wheel, apply the brake several times and then check if the wheel rotates freely. Recheck the wheel if the brake drags or if the wheel does not rotate freely.

If a torque wrench was not used for installation, see your Honda dealer as soon as possible to verify proper assembly. Improper assembly may lead to loss of braking capacity.



(6) Lug
(7) Lug

(8) Right front fork
(9) UP mark