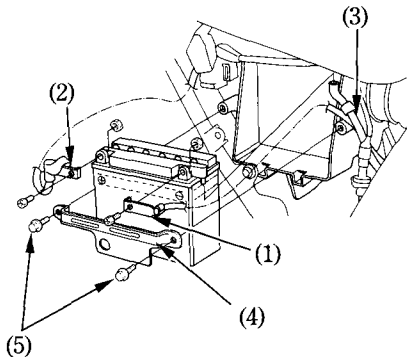


## Battery Removal

1. Remove the right side cover (page 37 ).
2. Disconnect the negative (-) terminal lead (1) from the battery first, then disconnect the positive ( ) terminal lead (2).
3. Disconnect battery breather tube (3).
4. Remove the bolts (5) and battery holder (4).
5. Pull out the battery.



- (1) Negative (-) terminal lead
- (2) Positive ( ) terminal lead
- (3) Battery breather tube
- (4) Battery holder
- (5) Bolts