

# MAJOR COMPONENTS

(Information you need to operate this motorcycle)

---

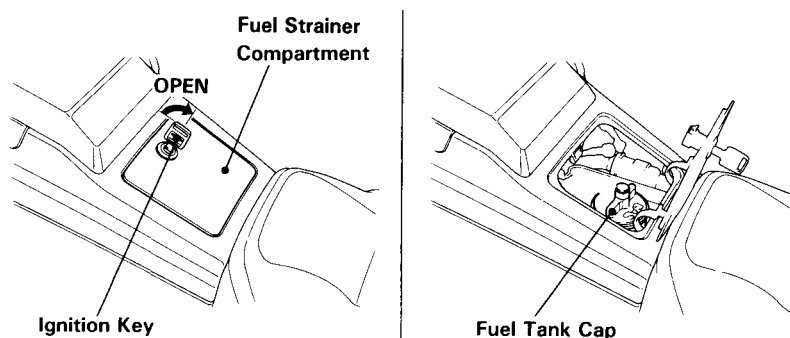
## FUEL

### Automatic Fuel ON-OFF

Fuel will flow to the carburetors only when the engine is started or is running. A check valve in the fuel pump shuts off fuel flow when the engine is turned off.

### Fuel Tank

Fuel tank capacity is 24.0 ℓ (5.3 Imp gal, 6.3 US gal). Insert the ignition key and turn it clockwise to open the fuel strainer compartment. Turn the fuel tank cap counterclockwise to remove it.



Use low-lead or unleaded petrol with an Octane number of 91 or higher.

Never use stale or contaminated petrol or an oil/petrol mixture. Avoid getting dirt, dust or water in the fuel tank. Use of a lower octane petrol can cause persistent "pinking" or heavy "spark knock" (a metallic rapping noise) which, if severe, can lead to engine damage.

### CAUTION:

- ***If "spark knock" or "pinking" occurs at a steady engine speed under normal load, change brands of petrol. If spark knock or pinking persists, consult your authorized Honda dealer. Failure to do so is considered misuse, and damage caused by misuse is not covered by Honda's Limited Warranty.***

Occasionally you may experience light spark knock while operating under heavy loads. This is no cause for concern, it simply means your engine is operating efficiently.