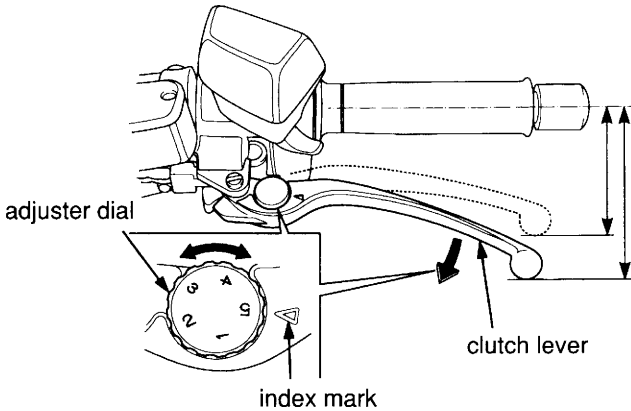


---

The distance between the tip of the clutch lever and the grip may be adjusted.



1. Turn the adjuster dial while pushing the clutch lever forward.
2. Align the index mark on the clutch lever with the numbers on the adjuster dial.
3. Start the engine, pull the clutch lever in, and shift into gear. Make sure the engine does not stall and the motorcycle does not creep. Gradually release the clutch lever and open the throttle. Your motorcycle should move smoothly and accelerate gradually.

Other Checks:

Make sure there are no fluid leaks. Check for deterioration or cracks in the hose and fittings.