



FEATURES

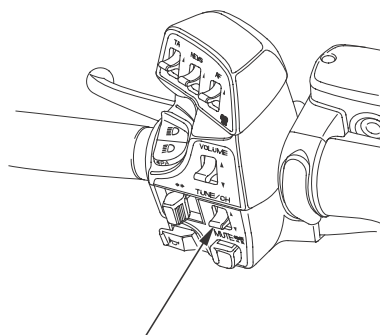
(Not required for operation)

You can also change or select playlists, artists and albums on the iPod® menu, use the TUNE/CH lever (see page 109).

Use the TUNE/CH lever while an iPod® is playing to change files.

Push the TUNE/CH lever up to change to the next file.

Push the TUNE/CH lever down to change to the previous file.



TUNE/CH lever

