



MAINTENANCE

BRAKE PAD WEAR

Refer to the Safety Precautions on page 131.

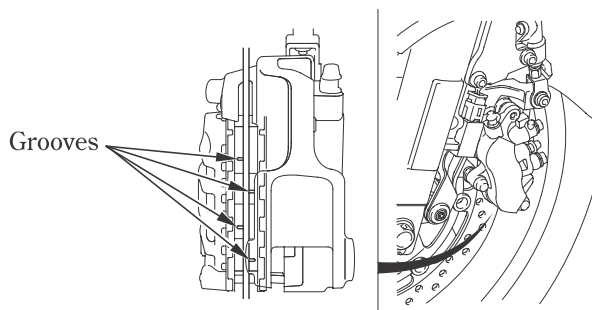
Brake pad wear depends upon the severity of usage, the type of riding, and road conditions. (Generally, the pads will wear faster on wet and dirty roads.) Inspect the pads at each regular maintenance interval (page 133).

Front Brake

Always inspect each pad in both right and left brake calipers.

Check the grooves in each pad.

If either pad is worn to the grooves, replace both pads as a set. See your dealer for this service.



Rear Brake

Check the cutout in each pad.

If either pad is worn to the cutout, replace both pads as a set. See your dealer for this service.

