

Headlight Dimmer Switch

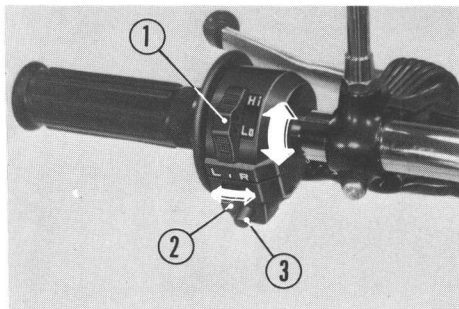
The headlight dimmer switch ① is located on the left handlebar grip switch housing. Move the headlight switch ② to the “ON” position (see page 14), then move the dimmer switch up to select high beam or down to select low beam.

Turn Signal Switch

The turn signal switch ② is located on the left handlebar grip switch housing. It can be operated without taking the hand off the handle grip. To signal a left turn move the switch to the “L” position. To signal a right turn move the switch to the “R” position. When the turn has been completed the switch must be returned to the center “OFF” position.

Horn Button

The horn button ③ is located on the left handlebar grip switch housing. When the horn button is depressed the horn will operate.



- ① Headlight dimmer switch
- ② Turn signal switch
- ③ Horn button