

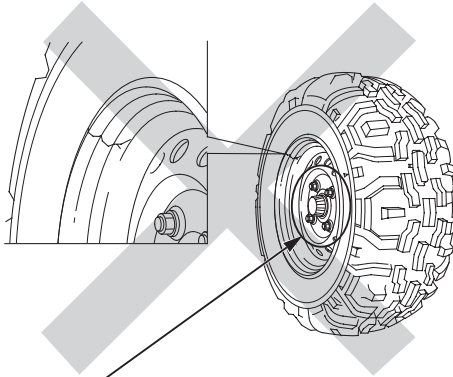
# Wheels

---

## Inspection

Check that the wheel nuts are tight and there is no crack or deformation in the wheel.

CHECK FOR CRACKS  
OR DEFORMATION.



CHECK THE WHEEL  
NUTS.