

Oil Level

Check the oil level, and if the red oil level warning light stays lit for more than few seconds after the ignition switch is ON, top up the tank (1) immediately to the filler neck. Do not overfill. Engine oil capacity is 1.7 ℓ (1.8 US qt, 1.5 Imp. qt).

After refilling, press the cap in completely until the underside of the cap seats the tank opening.

USE 2 STROKE INJECTOR OIL FOR MOTORCYCLE.

CAUTION:

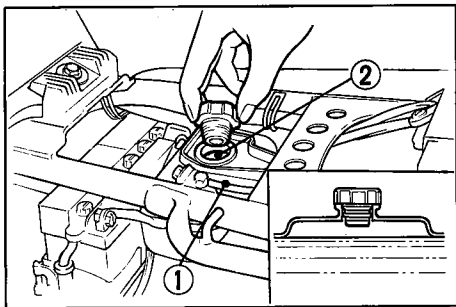
- * *The use of other oils may cause excessive carbon build-up in the engine and exhaust system resulting in loss of power and possible engine damage.*
- * *Don't use OUTBOARD 2 STROKE OIL.*

CAUTION:

- * *If air is present in the tube from the oil tank to the oil pump, do not start the engine. The motorcycle must be taken to your Honda dealer for inspection and bleeding of the oil system. Failure to do this will result in serious engine damage.*

NOTE:

- * When filling take care not to allow foreign materials to enter the tank.



- (1) Engine oil tank
- (2) Filler neck