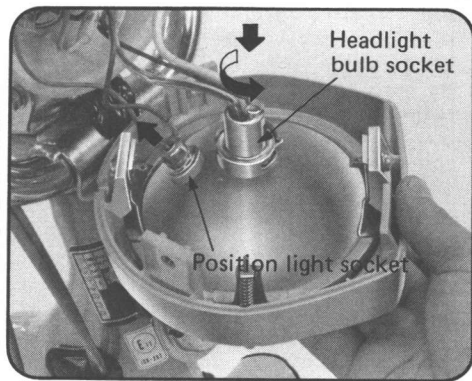
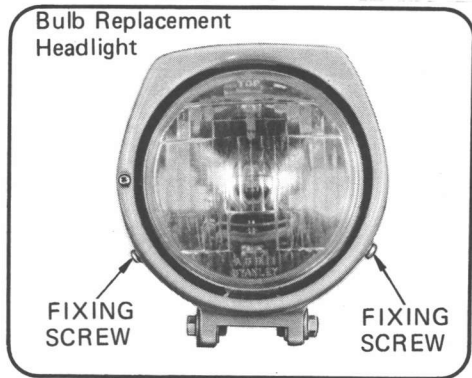


Electrical Equipment

(U. K. model) – Check headlight, tail/stoplight, and horn operation.



1. Remove the two headlight fixing screws and remove the headlight from the headlight case.

2. Headlight bulb:

Push the headlight bulb socket in and turn to the left, and the headlight bulb can be removed from the headlight case.

Position light bulb:

Pull the position light bulb socket out and press the bulb in the socket and twist to the left. Remove the bulb.