


**Fuel type:** Unleaded petrol only

**Fuel octane number:** Your motorcycle is designed to use Research Octane Number (RON) 91 or higher.

**Tank capacity:** 14.1 litres (3.73 US gal, 3.10 Imp gal)

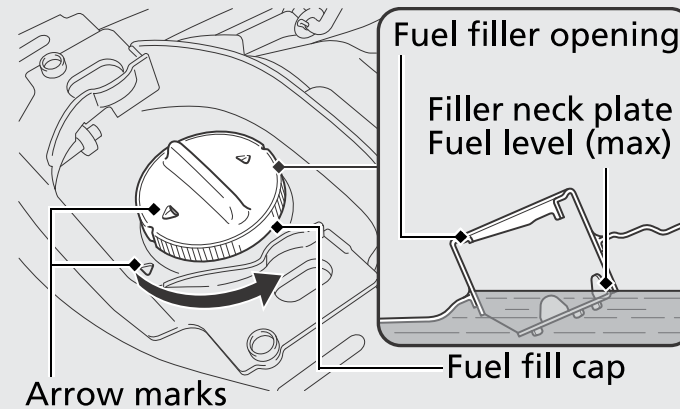
### Refuel and Fuel Guideline P.15

#### Opening the Fuel Fill Cap

- 1 Open the rear seat.  P.42
- 2 Turn the fuel fill cap counterclockwise until it stops and remove the cap.

#### Closing the Fuel Fill Cap

- 1 Install and tighten the fuel fill cap firmly by turning it clockwise.
  - ▶ Make sure that the arrow marks on the cap and fuel tank are aligned.
- 2 Close the rear seat.



Do not fill with fuel above the plate.

### **WARNING**

Petrol is highly flammable and explosive. You can be burned or seriously injured when handling fuel.

- Stop the engine, and keep heat, sparks, and flame away.
- Handle fuel only outdoors.
- Wipe up spills immediately.