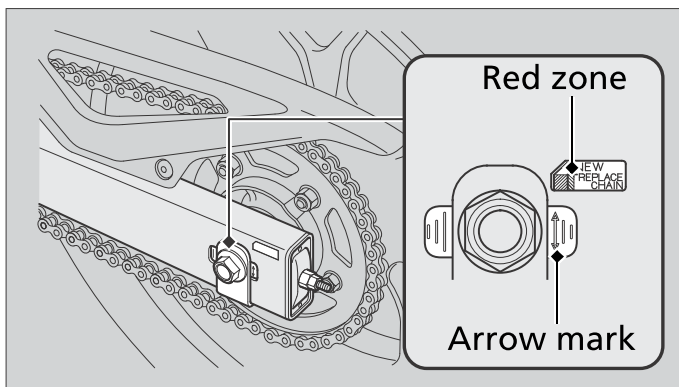


Checking the Drive Chain Wear

Check the chain wear label when adjusting the drive chain. If the allow mark on the chain adjuster plate enters the red zone on the label after the chain has been adjusted to the proper slack, the chain is excessively worn and must be replaced.

Chain: DID 520V0 or RK 520MKO

If necessary have the drive chain replaced by your dealer.



Drive Chain ▶ Checking the Drive Chain Slider

Checking the Drive Chain Slider

Check the condition of the drive chain slider. The drive chain slider need to be replaced if it is worn to the wear limit line. If necessary have the drive chain slider replaced by your dealer.

