

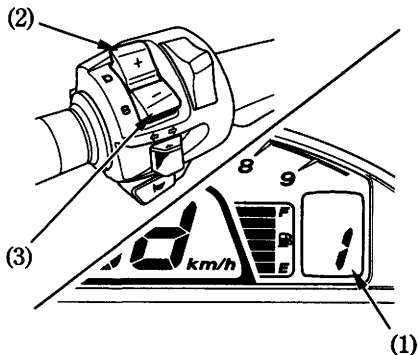
## Shifting When the 6-speed Manual Mode Is Selected

Press the shift switch to shift gears when the 6-speed manual mode is selected. The shift indicator (1) shows the gear position.

When the 6-speed manual mode is selected, shifting is not automatic. Shift so as not to let the engine rev enter the red zone.

To upshift transmission, press the shift switch (+) (2) once.

To downshift transmission, press the shift switch (-) (3) once.



- (1) Shift indicator
- (2) Shift switch (+)
- (3) Shift switch (-)