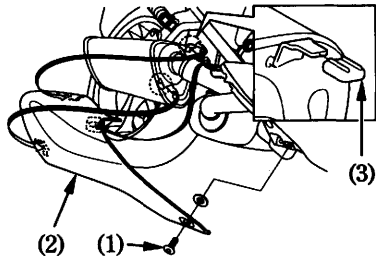


Rear Wheel Removal

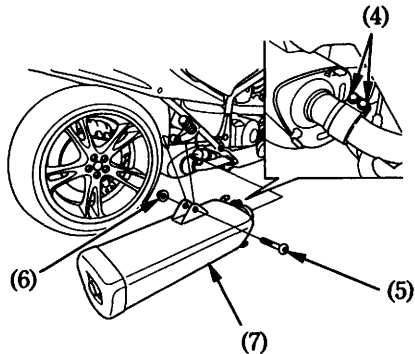
We recommend wheel removal be done only by your Honda dealer or another qualified mechanic. Do not attempt to remove the wheel on your own. Wheel removal requires mechanical skill and professional tools.

1. Place the motorcycle on its side stand.
2. To remove the muffler cover (2), remove the muffler cover bolt (1) and washer, and pull out from the prongs.



- (1) Muffler cover bolt (3) Rubber cap
(2) Muffler cover

3. Loosen the muffler band bolts (4), and remove the muffler bracket bolt (5) and nut (6).
4. Remove the muffler (7).



- (4) Muffler band bolts
(5) Muffler bracket bolt
(6) Nut
(7) Muffler