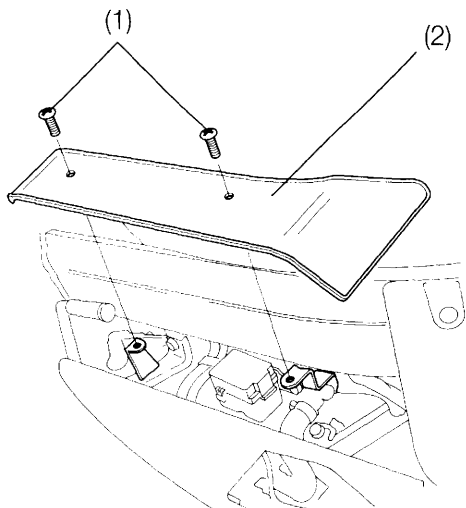


INNER COVER

Removal :

1. Remove two screws (1).
2. Remove the inner cover (2).



- (1) Screws
(2) Inner cover