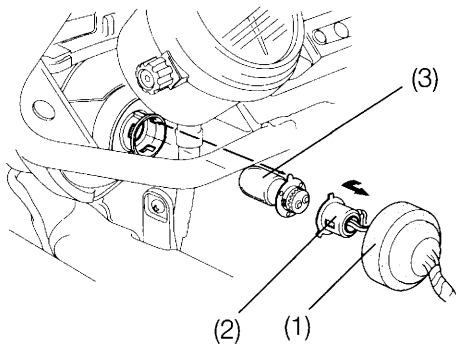


Headlight Bulb

1. Pull back the rubber cover (1).
2. Slightly press the socket (2) and turn it counterclockwise, then remove the socket.
3. Pull out the bulb (3).
4. Install a new bulb in the reverse order of removal.



- (1) Cover
(2) Socket
(3) Bulb