

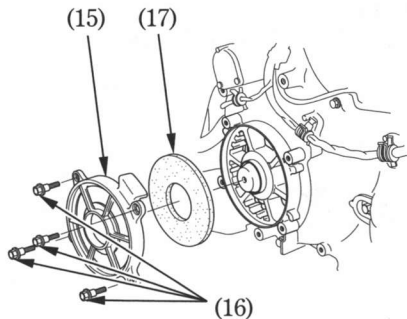
11. Remove the air cleaner element cover (15) by removing the bolts F (16).
12. Remove the air cleaner element (17).
13. Wash the air cleaner element in clean, nonflammable or high flash point solvent and let it dry thoroughly.

Never use petrol or low flash point solvents for cleaning the air cleaner. A fire or explosion could result.

Allow the air cleaner element to dry thoroughly before installation.

Do not apply oil to the air cleaner element; damage to the drive belt will occur.

14. For installation, reverse the removal procedure.



- (15) Air cleaner element cover
- (16) Bolts F
- (17) Air cleaner element