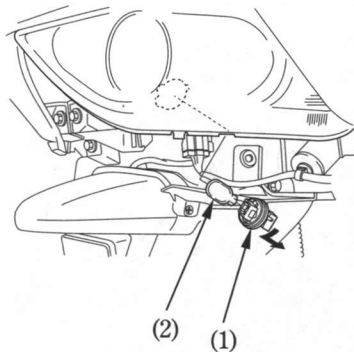


## Rear Turn Signal Bulb

1. Remove the rear body lower cover (page 111).
2. Turn the socket (1) counterclockwise, then pull it out toward you.
3. Pull out the bulb (2) without turning.
4. Install a new bulb in the reverse order of removal.



- (1) Socket  
(2) Bulb