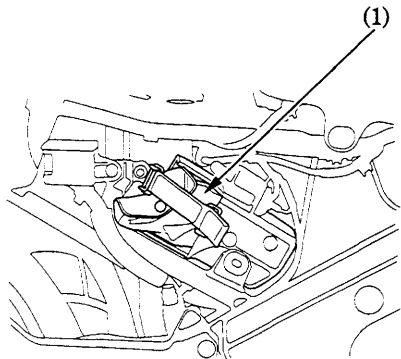


TOOL KIT

The tool kit (1) is in the tool box behind the right side cover (page 40).

Some roadside repairs, minor adjustments and parts replacement can be performed with the tools contained in the kit.

- 10 x 12 mm open end wrench
- 14 x 17 mm open end wrench
- Pliers
- 6 mm hex wrench
- No. 2 screwdriver
- No. 2 Phillips screwdriver
- Screwdriver grip
- Screwdriver T-handle
- 17 mm box end wrench
- 10 x 12 mm box end wrench
- 22 mm box end wrench
- 27 mm box end wrench
- Breaker bar
- Spark plug wrench
- Tool bag



(1) Tool kit