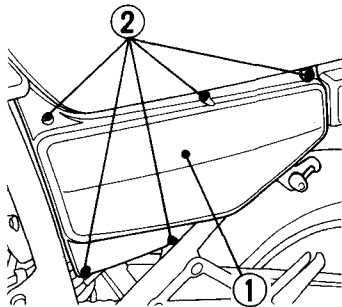


## AIR CLEANER

(Refer to the maintenance precautions on page 51, 52).

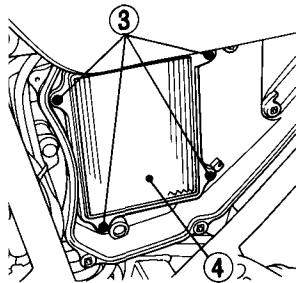
The air cleaner should be serviced at regular intervals (page 47). Service more frequently when riding in unusually wet or dust areas.

1. Remove the seat (page 34).
2. Remove the left side cover (1) by removing the bolts (2).



- (1) Left side cover
- (2) Bolts

3. Remove the screws (3).
4. Remove and discard the air cleaner element (4).
5. Install the new air cleaner element.
6. Install the removed parts in the reverse order of removal.



- (3) Screws
- (4) Air cleaner element