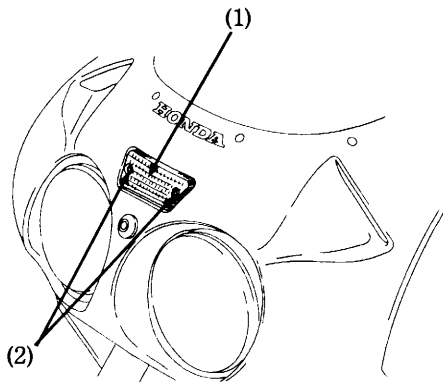


Position Light Bulb

1. Remove the position light lens (1) by removing the two screws (2).



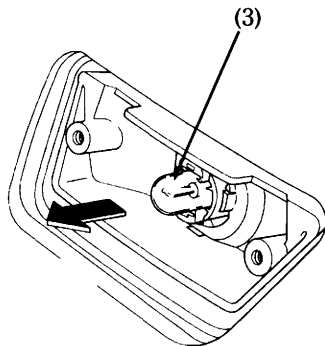
(1) Position light lens

(2) Screws

104

2. Pull out the bulb (3).

3. Install a new bulb in the reverse order of removal.



(3) Bulb