

## FEATURES (Not required for operation)

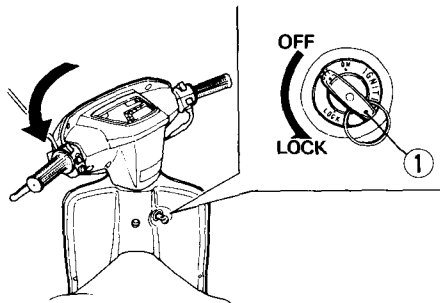
### STEERING LOCK

#### To Lock:

To lock the steering, turn the handlebars all the way to the left, and turn the key (1) to Lock. Remove the key.

#### **▲ WARNING**

- \* Do not turn the key to LOCK while riding the motorcycle; loss of control will occur.



(1) Ignition key