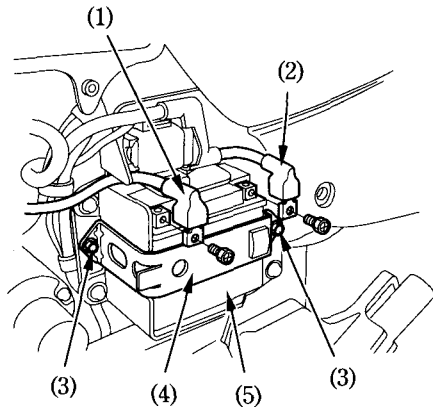


Battery removal:

1. Remove the left side cover (page 33).
2. Disconnect the negative (-) terminal lead (1) from the battery first, then disconnect the positive (+) terminal lead (2).
3. Remove the bolts (3) and remove the battery holder (4).
4. Pull out the battery (5) from the battery box.



- (1) Negative (-) terminal lead
- (2) Positive (+) terminal lead
- (3) Bolt
- (4) Battery holder
- (5) Battery