

MAINTENANCE

FUSE REPLACEMENT

Refer to the Safety Precautions on page 77 .

When frequent fuse failure occurs, it usually indicates a short circuit or an overload in the electrical system. See your Honda dealer for repair.

NOTICE

Never use a fuse with a different rating from that specified. Serious damage to the electrical system or a fire may result, causing a dangerous loss of lights or engine power.

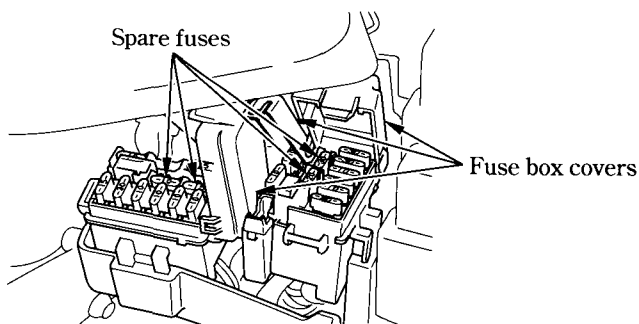
Recommended Fuses:

Main fuse A:	30 A
Main fuse B:	65 A
Circuit fuses:	30 A, 20 A, 15 A, 10 A

The fuse box (including spare fuses) is located behind the left side cover. The main fuse is located behind the right side cover.

Circuit Fuses:

1. To prevent an accidental short circuit, turn the ignition switch OFF before checking or replacing the fuses.
2. Remove the left side cover (page 83).
3. Open the fuse box cover.



4. To check or replace a circuit fuse, pull the old fuse out of its retaining clips with the fuse remover. Look for a burned wire inside the fuse. If the fuse is blown, replace it with a spare fuse of the same rating or lower.
5. Close the fuse box cover and install the left side cover.