

LEFT HANDLEBAR CONTROLS

Headlight Switch (1)

The headlight switch (1) has two positions: "H" and "OFF", marked by a dot below the "H".

H : Headlight, taillight and meter lights on.

OFF (dot) : Headlight, taillight and meter lights off.

Headlight Dimmer Switch (2)

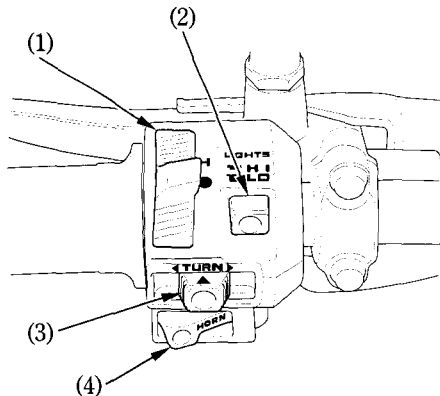
Push the headlight dimmer switch to "HI" to select high beam or to "LO" to select low beam.

Turn Signal Switch (3)

Move to ◀ to signal a left turn, ▶ to signal a right turn. Press to turn signal off.

Horn Button (4)

Press the button to sound the horn.



- (1) Headlight switch
- (2) Headlight dimmer switch
- (3) Turn signal switch
- (4) Horn button