

Fuse Replacement

The fuse holder is located near the battery box. The specified fuse is 10A.

When frequent fuse failure occurs, it usually indicates a short circuit or an overload in the electrical system. See your authorized Honda dealer for repair.

WARNING

- * *Never use a fuse with a different rating from that specified. Serious damage to the electrical system or a fire may result, causing a dangerous loss of lights at night or engine power.*

CAUTION:

- * *Turn the ignition switch OFF before checking or replacing the fuse to prevent accidental short-circuiting.*

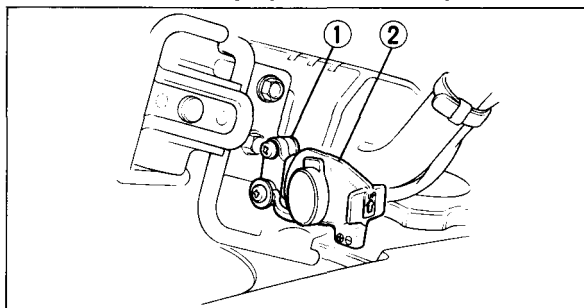
12V DC Power Supply

The direct current receptacle (1) is on the left side of the headlight. It provides 12V DC power at a maximum of 120 watts (10 Amps). The fuse for this power supply is located on the frame under the seat. The specified fuse is 10A.

WARNING

- * *Never use a fuse with a different rating from that specified. Serious damage to the electrical system or a fire could result.*

Accessories may be connected to the receptacle by using the special plug (2) that came with your TRX. To attach the special plug to the accessory:



(1) Receptacle

(2) Special plug