

RIDING

WARNING

- * Review *FOUR TRAX Safety* (pages 1–5) before you ride.
- * Avoid “Wheelies” and jumping as they may cause loss of control.
- * Ride with your feet on the footpegs at all times. If your feet are removed from the footpegs and touch the ground while the *FOUR TRAX* is moving, they may come in contact with the rear wheels.
- * The *FOUR TRAX 200SX* is not designed to be ridden on paved surfaces. Handling and control will be severely affected.
- * While pulling a trailer, use extreme caution when starting, stopping or turning the *FOUR TRAX*.

Under normal riding conditions it is not necessary or desirable to touch the ground for balance. For your initial riding practice, select a safe area free of obstacles with a level surface of dirt, sand or snow, etc.

1. Make sure the transmission is in neutral and set the parking brake.
2. After the engine has been warmed up, release the parking brake. The *FOUR TRAX* is ready for riding.
3. While the engine is idling, raise the gearshift pedal to shift into 1st (low) gear.
4. Increase engine speed by gradually opening the throttle.

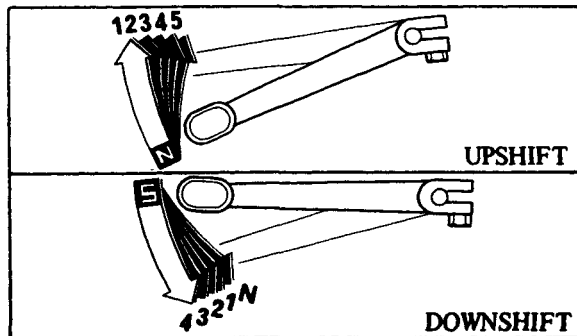
5. When your speed increases, close the throttle and shift to 2nd gear by raising the gearshift pedal.

CAUTION:

- * Do not shift gears without closing the throttle. The engine and drive train could be damaged by overspeed and shock.
6. This sequence is repeated to progressively shift to 3rd, 4th and 5th (top) gear.

CAUTION:

- * Do not tow the *FOUR TRAX* or coast for long distances while the engine is off. The transmission will not be properly lubricated and damage may result.



Shifting sequence