

- (8) Headlight
- (9) Helmet holder
- (10) Fuel fill cap
- (11) Storage box, containing:
 - Tool kit
 - Owner's manual
- (12) Operator footpeg
- (13) Rear brake pedal

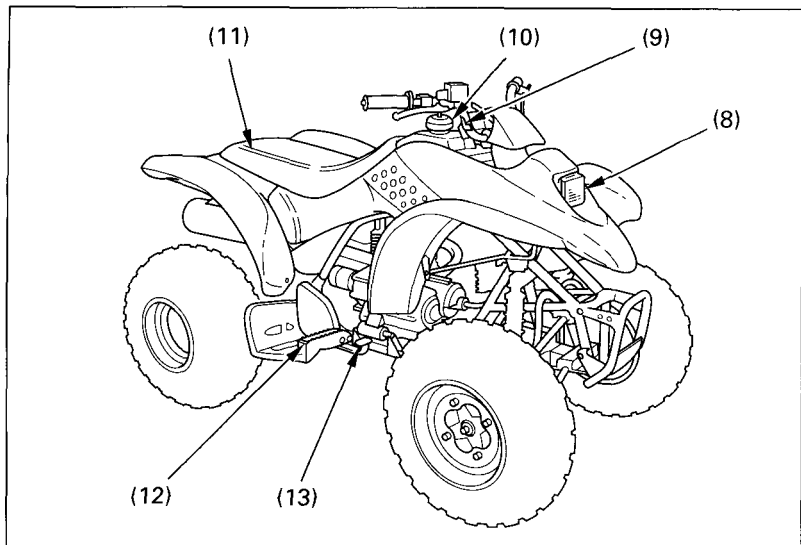


Fig. 2-2

Right side of Sportrax