

## DRAINING WATER FROM BRAKE

Make sure the engine is off and the parking brake is set. Then remove the drain bolt (Fig. 4-26) from the bottom of the rear brake cover. If any water drains, the brake seals must be replaced by your Honda dealer as soon as possible.

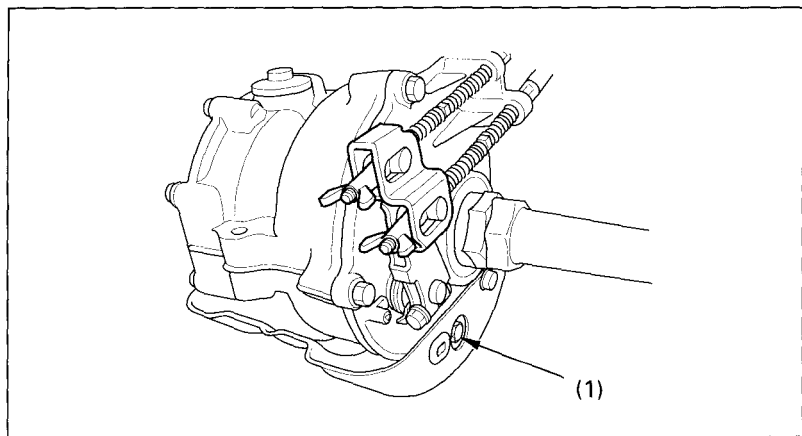


Fig. 4-26

(1) Rear brake drain bolt