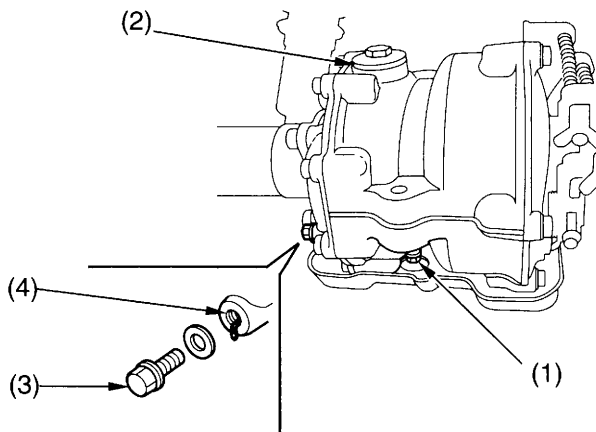


# Gear Case Oil

1. Park the ATV on level ground.
2. Place an oil drain pan under the oil drain plug ( 1 ).
3. Remove the oil filler cap ( 2 ) and the drain plug.
4. After the oil has completely drained, reinstall the drain plug and tighten it to the specified torque:  
**9 lbf·ft ( 12 N·m , 1.2 kgf·m )**
5. Fill the gear case with the recommended oil.  
**3.4 US oz ( 100 cm<sup>3</sup> )**
6. Remove the oil level check bolt ( 3 ). Make sure the oil level reaches the oil level check hole ( 4 ).
7. Install the oil filler cap.

## REAR



(1) oil drain plug  
(2) oil filler cap

(3) oil level check bolt  
(4) oil level check hole