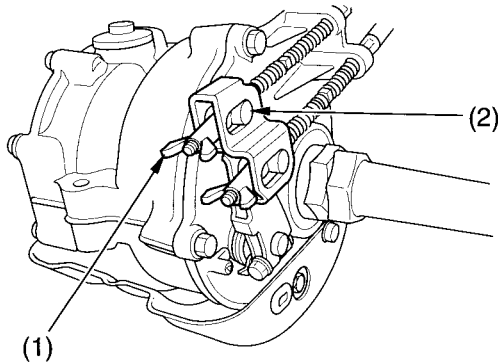


## Parking Brake Adjustment

Refer to *Safety Precautions* on page 75 .

Parking brake adjustment may be required if the parking brake does not hold properly.

### RIGHT REAR



- (1) brake lever adjusting nut
- (2) brake arm pin

### Adjustment

1. Temporarily adjust the clutch lever/parking brake lever freeplay to more than 20 mm (3/4 in) (page 106).
2. Turn the brake lever adjusting nut ( 1 ), located on the brake operating rod at the rear of the frame. Make sure the cutout on the adjusting nut is properly seated on the brake arm pin ( 2 ).