

Tool Kit

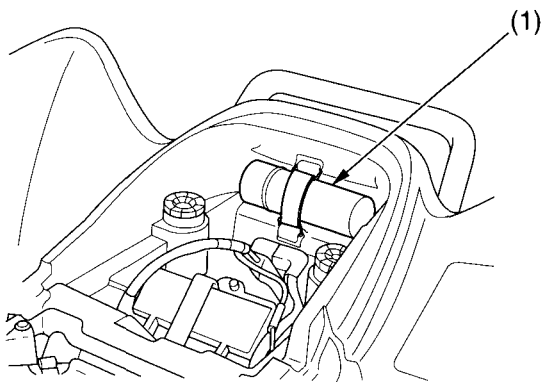
The tool kit (1) is stored in the storage compartment under the seat.

The tools in the kit are sufficient to perform routine maintenance and simple repairs. Any extensive work requiring additional tools should be performed by your Honda dealer.

The tool kit includes the following items:

- * standard/Phillips screwdriver
- * screwdriver handle
- * air pressure gauge
- * spark plug wrench
- * tool case

UNDER THE SEAT



(1) tool kit