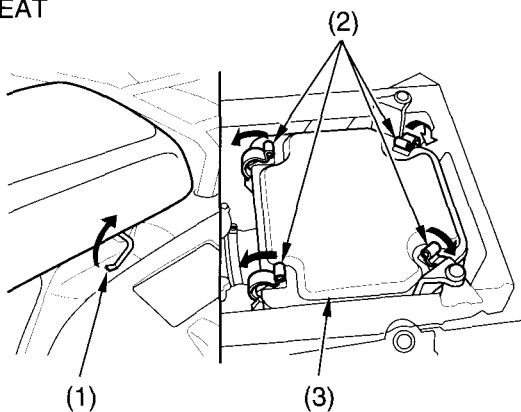


Air Cleaner

Cleaning

1. Remove the seat by pulling the seat lock lever (1) up (page 98).

UNDER SEAT



(1) seat lock lever

(3) air cleaner housing cover

(2) retainer clips

2. Unlatch the four retainer clips (2).
3. Remove the air cleaner housing cover (3).