

### Starter Button

The starter button (Fig. 2-8) is below the engine stop switch. To start the engine, press the starter button (1), with the transmission in neutral, the ignition switch I (ON) and the engine stop switch (2) at O (RUN).

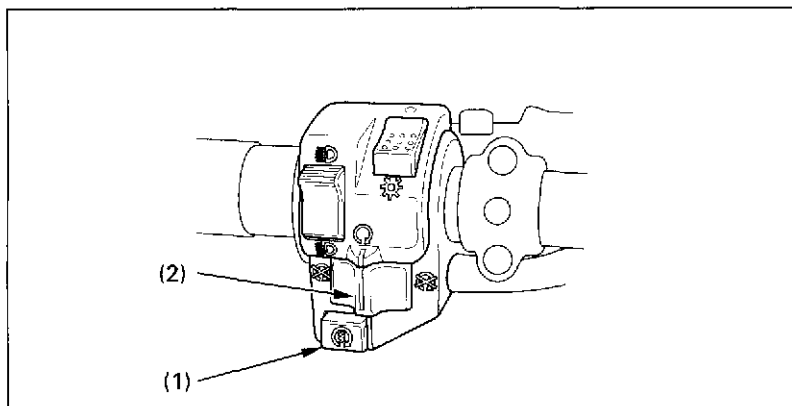


Fig. 2-8 (1) Starter button (2) Engine stop switch

### Horn button

Horn button (Fig. 2-9 ) is next to the headlight switch. Press the button to sound the born.

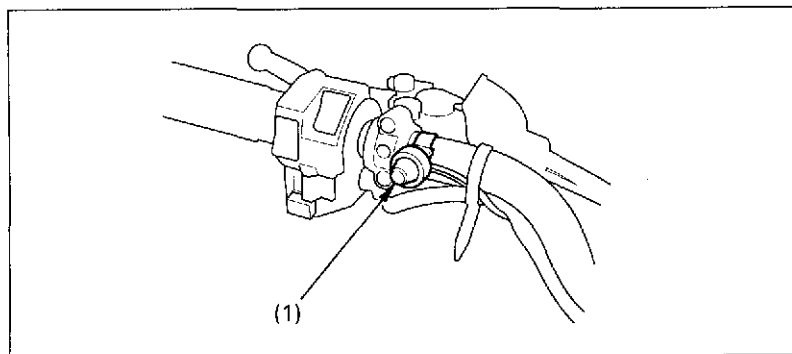


Fig. 2-9 (1) Horn button