



Emission Control Systems

Exhaust Emission Requirements

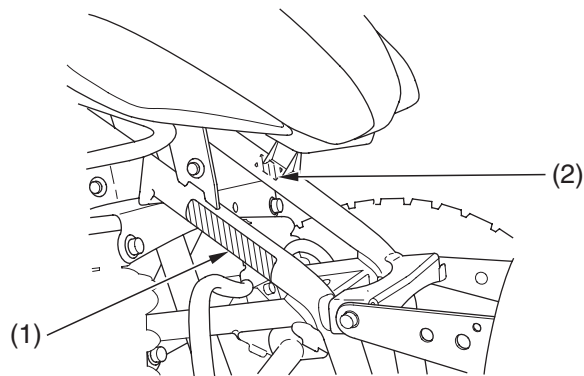
The U.S. Environmental Protection Agency (EPA), the California Air Resources Board (CARB), and Environment Canada (EC) require that your ATV comply with applicable exhaust emissions standards during its useful life, when operated and maintained according to the instructions provided.

The Vehicle Emission Control Information Label (1) is attached on the right side of the frame below the front fender.

For Canada Only

The Vehicle Emission Control Information Label (2) is attached on the left side of the frame below the front fender.

FRONT



- (1) vehicle emission control information label
- (2) vehicle emission control information label (Canada only)

180 Technical Information

