

Reverse Lock System

Measure the reverse assist lever (2) free play. Free play, measured at the lever (2) end near the cable (Fig. 4-16), should be approximately:

1/16–3/16 in (2–4 mm)

To adjust, loosen the lock nut (3) and turn the adjusting nut (4). Tighten the lock nut securely.

Other Checks:

Check the reverse assist lever and cable for loose connections or other damage. If the cable is worn or kinked, have it replaced by your Honda dealer.

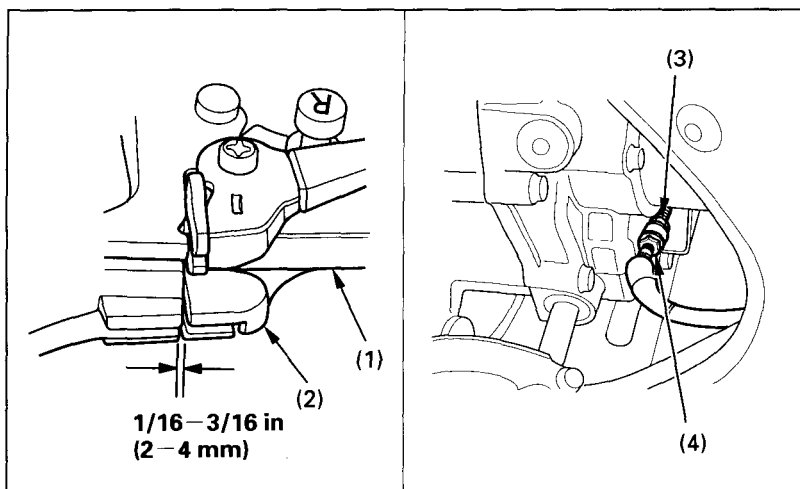


Fig. 4-16 (1) Rear brake lever
(2) Reverse assist lever

(3) Lock nut
(4) Adjusting nut

While reading this manual, remember:

⚠ WARNING Indicates a strong possibility that serious injury or death may result if instructions are not followed.