

6. Push down the parking brake pin (6) and then squeeze the clutch lever (7) until firm resistance is felt. Measure the distance the clutch lever has moved; the distance should be:
25–30 mm (1.0–1.2 in)
If necessary, turn the adjuster (2) and tighten the lock nut (1).
7. Adjust the clutch lever free play (page 107) is:
10–20 mm (0.4–0.8 in)

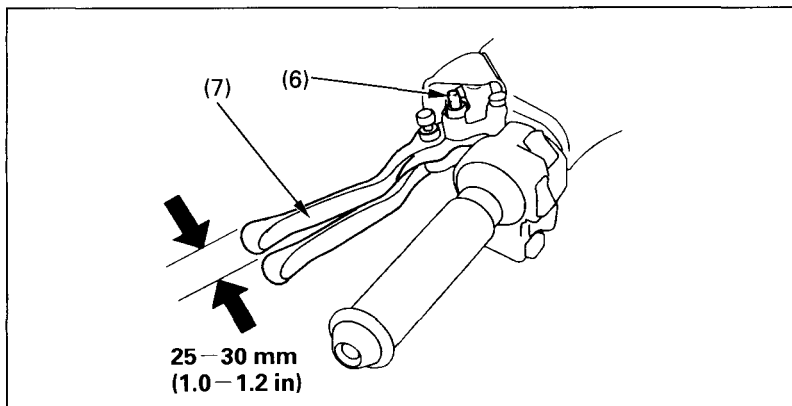


Fig. 4-28 (6) Parking brake pin

(7) Clutch/Parking
brake lever

While reading this manual, remember:

⚠ WARNING

Indicates a strong possibility that serious injury or death may result if instructions are not followed.