

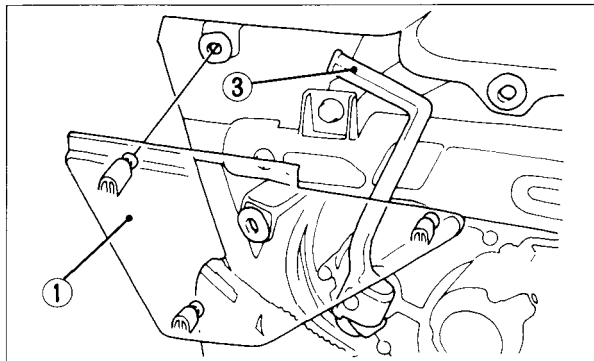
Kick Starting

Operate the kickstarter with the decompressor lever to start the engine.

1. Remove the right side cover (1) and follow the step under Preparation (page 30).
2. While pushing the choke lever in, move it all the way to the “Fully Open” position.

NOTE:

- * Do not use the choke when restarting a warm engine or when air temperature is 35°C (95 °F) or above.
3. Raise the decompressor lever (2) to the “Decomp” position (A).



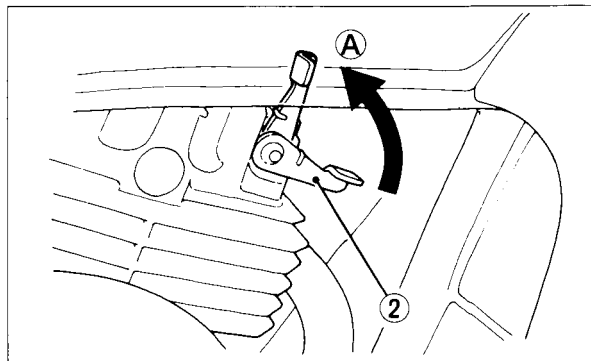
(1) Right side cover (3) Kickstarter

4. Starting from the top of the stroke, operate the kickstarter (3) through to the bottom with a rapid, continuous motion.

The decompressor lever automatically returns to the lowered position when the kickstarter is operated.

NOTE:

- * The engine will start only when the transmission is in neutral.



(2) Decompressor lever (A) “Decomp” position