

FUEL STRAINER SCREEN

The fuel strainer is in the fuel valve. The fine mesh screen of the strainer prevents dirt from entering the carburetor passages. Dirt which accumulates in the fuel strainer must be removed periodically, or the fuel flow will eventually be restricted.

WARNING

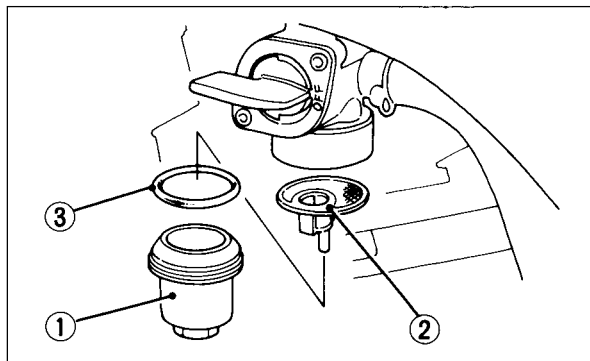
** Gasoline is extremely flammable and is explosive under certain conditions. Perform this operation in a well-ventilated area with the engine stopped. Do not smoke or allow open flames or sparks in the area or where gasoline is stored.*

1. Turn the fuel valve OFF.
2. Remove the fuel strainer cup (1).
3. Remove the filter screen (2).
4. Wash the screen in non-flammable or high flash point solvent.

WARNING

** Never use gasoline or low-flash point solvents for cleaning the fuel strainer. A fire or explosion could result.*

5. Reassemble by reversing the disassembly sequence.
6. Turn the fuel valve and fuel cap vent lever ON, and check for leaks. Correct if necessary.



- (1) Fuel strainer cup (3) O-ring
(2) Filter screen