

Front Wheel Removal

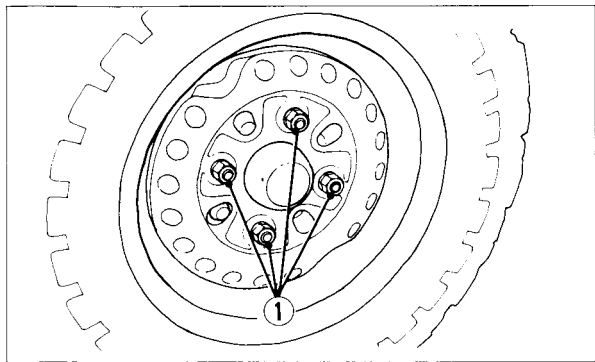
1. Place a support block under the vehicle and raise the front wheels off the ground.
2. Loosen the wheel nuts (1) with the 17 mm socket wrench.
3. Remove the wheel.

Installation:

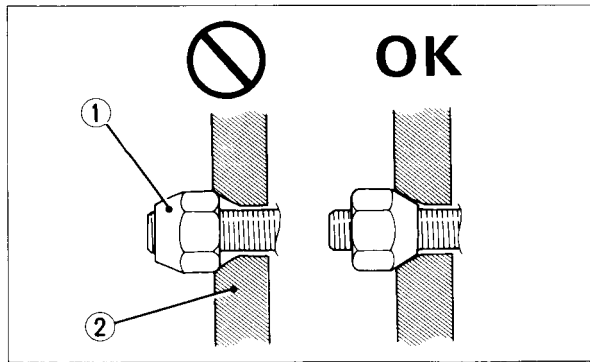
Reinstall the front wheels and tighten the wheel nuts (1) in a crisscross pattern to 60–70 N·m (6.0–7.0 kg-m, 43–50 ft-lb).

WARNING

- * *Install the wheel nuts with their tapers on the inside as shown. Improper assembly may cause the wheel to come loose.*
- * *If a torque wrench was not used for installation, see your authorized Honda dealer as soon as possible to verify proper assembly.*



(1) Wheel nuts



(1) Wheel nut

(2) Wheel rim