

CARBURETOR

Choke Cable and Lever

Check the condition of the choke cable (Fig. 4-8) and the operation of the choke lever (2). If the cable is damaged or kinked, have it replaced by your Honda dealer.

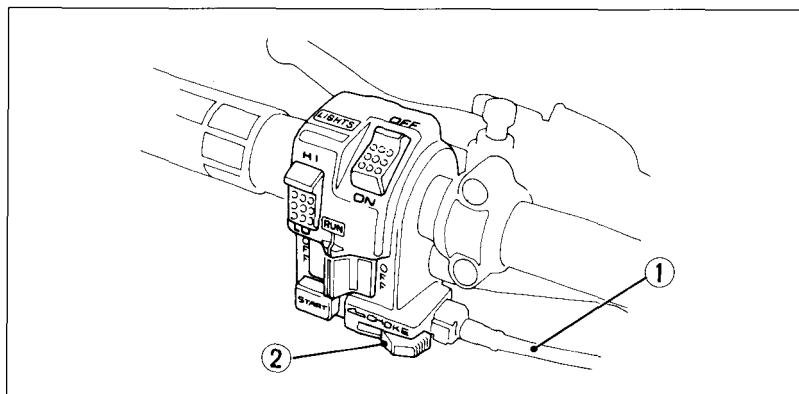


Fig. 4-8

(1) Choke cable

(2) Choke lever

Adjusting Idle Speed and Air-Fuel Mixture

NOTE:

Do not try to compensate for faults in other systems by adjusting the carburetor.

To adjust the idle speed:

1. Warm up the engine. The engine must be warm for accurate idle adjustment. Ten minutes of stop-and-go riding is sufficient.