

- (18) Helmet holder
- (19) Storage compartment, containing:
  - Tool kit
  - Air pressure gauge
  - Owner's Manual
- (20) Gearshift pedal
- (21) Fuel valve
- (22) Operator footpeg
- (23) Starting primer knob
- (24) Trailer hitch

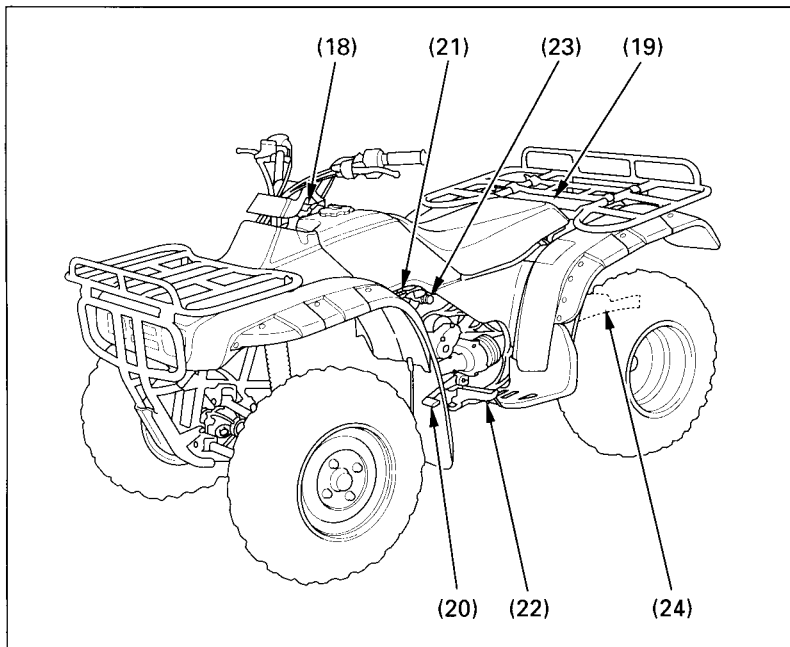


Fig. 2-3

Left side of FOURTRAX