

**NOTE:**

Use 0.9 mm G ~ 1.0 mm G electrical wire for attaching an accessory to the special plug. Make sure the accessory leads are properly insulated, and keep them away from hot engine parts and sharp edges.

**CAUTION:**

**Use of an improper wire size may damage the system.**

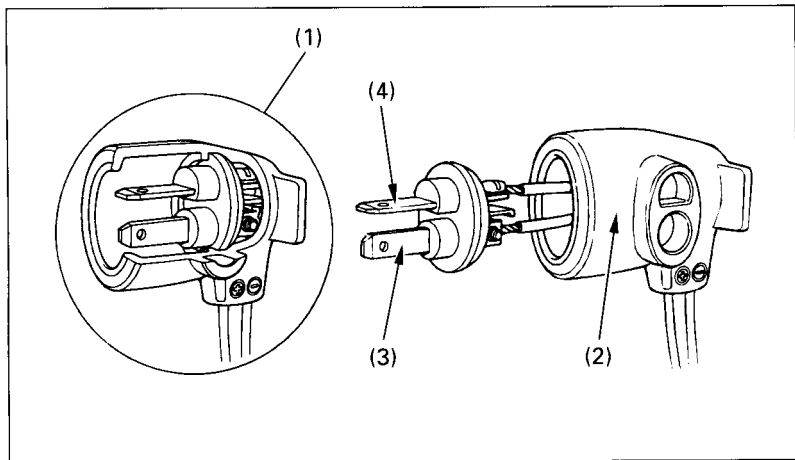


Fig. 2-30 (1) Special DC plug  
(2) Plug cover

(3) Positive lead  
(4) Negative lead

5. Replace the plug cover.
6. With the ignition switch ○ (OFF), insert the plug into the receptacle. Be careful not to twist the accessory leads. Make sure the leads extend from the bottom of the plug.

**CAUTION:**

**To avoid possible damage to electrical components, make sure the ignition switch is ○ (OFF) when inserting or removing the special DC plug.**

When the receptacle is not being used, cover it with the rubber cap attached to the receptacle to keep out dust, water and sand.