

FUEL SYSTEM

FUEL

Refueling

The fuel tank capacity, including reserve, is:

12.5 l (3.30 US gal , 2.75 Imp gal)

The reserve fuel supply is:

2.5 l (0.66 US gal , 0.55 Imp gal)

To refuel, remove the fuel fill cap (Fig. 4-2) by twisting it counterclockwise.

Do not overfill (make sure there is no fuel in the filler neck (4)).

After refueling, be sure to tighten the fuel cap firmly by turning it clockwise. Align the arrow (2) on the fuel tank cap with the reference mark (3) on the fuel tank.

Insert the breather tube into the handle cover hole.

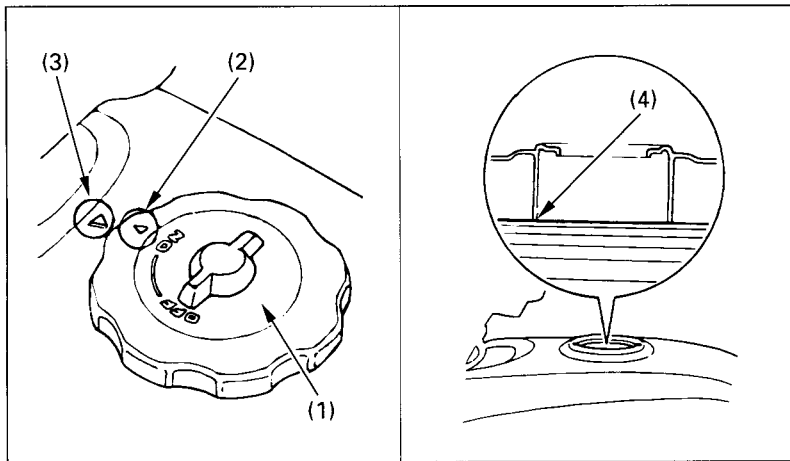


Fig. 4-2

(1) Fuel fill cap
(2) Arrow

(3) Reference mark
(4) Filler neck