

## STARTING THE ENGINE

### Preparation

1. Select a level surface and lock the parking brake (page 25) before starting the engine.
2. Turn the fuel cap vent lever (1), fuel valve (2) and ignition switch (3) to ON.
3. Make sure the engine stop switch (4) is at RUN (○).
4. Make sure that the transmission is in neutral by checking that the neutral indicator lamp lights.

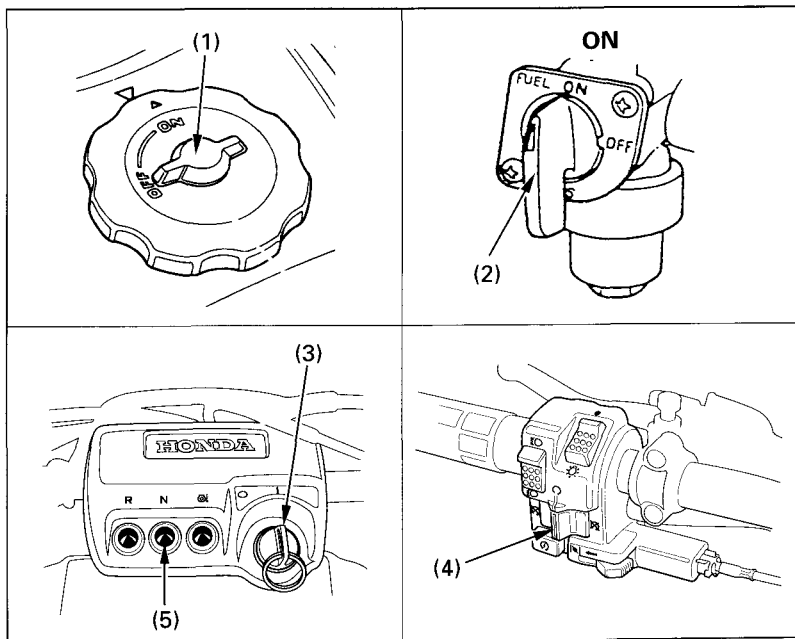


Fig. 3-8 (1) Fuel cap vent lever  
(2) Fuel valve  
(3) Ignition switch

(4) Engine stop switch  
(5) Neutral indicator lamp