

MAINTENANCE PRECAUTIONS

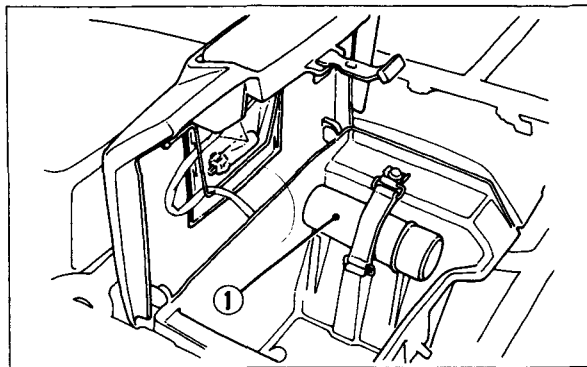
▲ WARNING

- * *Always turn the engine off before performing any maintenance operations unless otherwise stated.*
- * *To maintain the safety and reliability of your HONDA FOURTRAX do not modify it and use only new genuine HONDA parts or their equivalent when servicing or repairing.*
The use of replacement parts which are not of equivalent quality may impair the operation of your FOURTRAX.

TOOL KIT

The tool kit (1) is stored in the storage compartment behind the seat. The tools provided are sufficient to perform routine maintenance and simple repairs. Any extensive work requiring additional tools should be performed by your authorized Honda ATV dealer. Listed below are the items included in the tool kit.

- Standard/Phillips screwdriver
- Screwdriver handle
- 10 x 12 mm Open end wrench
- 14 x 17 mm Open end wrench
- Pliers
- Spark plug wrench
- Handlebar
- Tool case



(1) Tool kit